



iCN-753 Brushless Motor Standalone Temperature Controller

JohnPoint®
約翰點子 空調自動控制專家

Incoming Call Memory Type Incoming Call Power-On Type Incoming Call Power-Off Type

Incoming Call Power-Off Type : Suitable for both residential and commercial use

Incoming Call Power-On Type : Specifically designed for automotive hotels (capable of pre-activating cooling or heating functions)



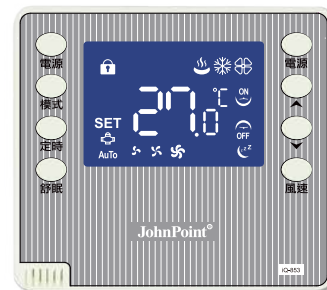
※ Please scan this QR code for the user manual.

Flagship Edition/Customized Function Selection

- 1 Four-Pipe Output Control
- 2 Room Card Functionality
- 3 IR Infrared Remote Control, External VR Rotary Knob Temperature Control



iCN-753



iCN-853

Product Features

1. Equipped with cooling, heating, and fan functions to meet all air conditioning needs.
2. Dual relay outputs can separately control electric heaters and ice water valves.
3. Easy and convenient installation: only three signal wires required for panel wiring.
4. Temperature adjustment range from 15°C to 35°C.
5. Scheduled Power On/Off: 0 hours to 24 hours
6. Sleep function: the set temperature will automatically increase by 1°C every hour until it reaches 2°C.
7. Safety design: built-in 8-ampere fuse to protect the blower motor and circuits.
8. Temperature sensing method: temperature sensing at the air outlet with a 1.5-meter high-precision temperature sensing wire.
9. Can control ON/OFF two-way valves or three-way valves.
10. Elegant appearance, energy-saving, power-saving, large LCD backlit panel for convenient nighttime operation.
11. Equipped with a compressor 3-minute protection function.
12. Features power-off memory (fan speed, function mode, set temperature, power status).

Function Description

	Power
	Comfort / Key Lock.
	Press to switch between 3 system modes : Cool, Heat, Ventilation.
	Power On/Off timer.
	Fan speed switch key. Press the Fan key to switch between fan speeds, with options including strong, medium-strong, medium, medium-weak, weak, and automatic.
	Temperature Adjustment. Press once to display the setpoint temperature. Then, press second time to adjust the temperature.

Control Box

Perfect all-in-one control driver, integrating power supply, control, drive, and communication into one unit.



- Model : iCN-M1 (Single motor output) iCN-M11 (Dual motor output)
- Size : 168 x 143 x 65mm
- Input Voltage : AC 220V · 50/60Hz (Single-phase)
- Output Contacts : Host chain contacts : 1A/250VAC
- There is built-in active PFC function (Optional)

DC Motor

DC Variable Frequency Technology, operates ultra-quietly, incorporating DC variable frequency sensorless drive technology.

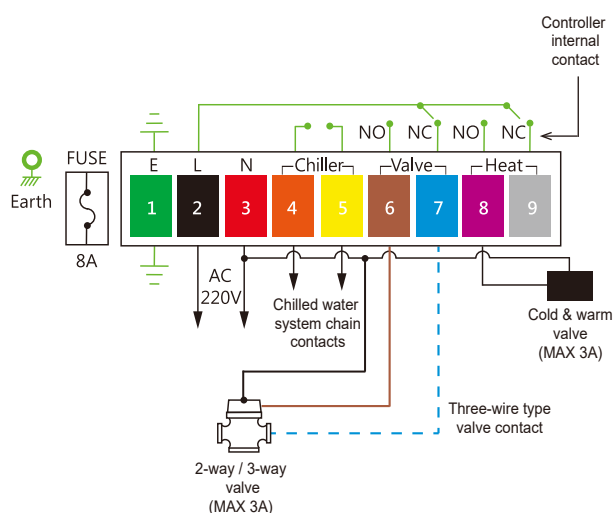


Single-Axis Motor/60W



Double-Axis Motor/120W

System Wiring Diagram



※ "Four Pipe", "1 to 1 Heat / Cool Expansion System", "1 to 1 Cool Expansion System" please refer to instructions.



CANNEX TECHNOLOGY INC.

Since 1991
Design and manufacture
/ Made in Taiwan

http://www.akr.com.tw
Tel: +886-4-861-3883(Rep) Fax: +886-4882-8209
Add: No. 182, Sec. 2, Yuanlu Rd., Sihu, Changhua,
51449, Taiwan

Copyright © 202305 Cannex Technology Inc. All rights reserved.